

Area Gripping System

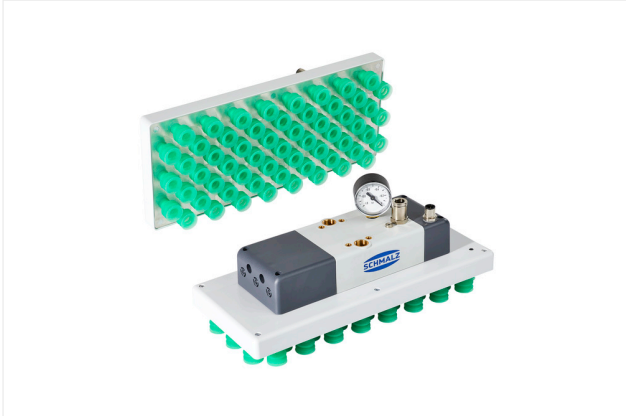
FQE Xc 300x130 SW80 SPB2

Part no...:10.01.44.00375

<https://www.schmalz.com/10.01.44.00375>

Home > Vacuum Technology for Automation > Vacuum Components > Area Gripping Systems and End Effectors > Area Gripping Systems FQE > Area Gripping Systems FQE Xc > FQE Xc 300x130 SW80 SPB2

Large-area vacuum gripping system with flow resistances



Shape: Integrated vacuum generation

Length L: 300 mm

Width B: 130 mm

Height H: 88.1 mm

Nozzle diameter: 0.8 mm

Suction cup typ: SPB2

Number of suction cells: 59

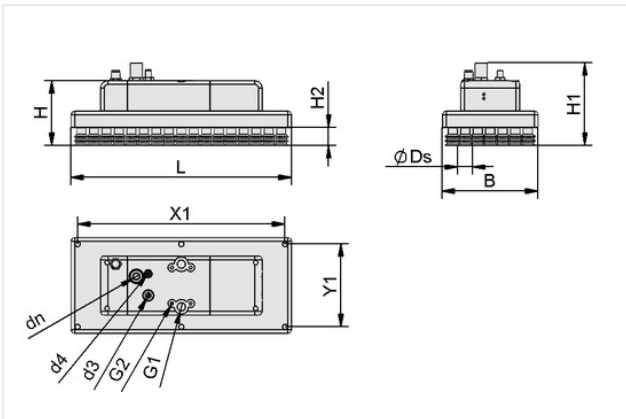
Number of ejectors: 3

Design: Ejector module SEP

Control valve: Normally open

Weight: 1.31 kg

Design Data



Attribute	Value
B	130 mm
dn	10 mm
Ds	20 mm
G1	G1/4"-F
G2	M5-F
H	88.10 mm
H1	133.70 mm
H2	24.30 mm
L	300 mm
X1	282.40 mm
Y1	112.40 mm

Technical Data

Attribute	Value
Nozzle diameter	0.80 mm
Control valve	Normally open
Construction shape vacuum switch	PNP switching
Air consumption	249 l/min

Contact Schmalz

Schmalz Australia Pty Ltd | 25 Turbo Drive, Bayswater North, VIC, 3153 Melbourne, Australia | +61 3 9215 8800 | schmalz@schmalz.com.au

Area Gripping System

FQE Xc 300x130 SW80 SPB2

Part no...:10.01.44.00375

<https://www.schmalz.com/10.01.44.00375>

Suction cup typ	SPB2
Weight	1.31 kg

Accessories



ASK WB-M12-5 5000 K-4P

Part no...:21.04.05.00557

Electrical connection: Elbow fem con M12, 5pol

Material hose: PUR cable

Cable length: 5,000 mm



VSL 4-2 PU MI-TR

Part no...:10.07.09.00001

External diameter D: 4 mm

Internal diameter d: 2 mm

Length max.: 50 m

Material hose: PU

Bending radius min.: 20 mm

Pressure range (operating pressure): -0.95 ... 10.00 bar

Operating temperature: -40 ... 60 °C



VSL 6-4 PU MI-TR

Part no...:10.07.09.00002

External diameter D: 6 mm

Internal diameter d: 4 mm

Length max.: 500 m

Material hose: PU

Bending radius min.: 35 mm

Pressure range (operating pressure): -0.95 ... 10.00 bar

Operating temperature: -20 ... 90 °C

Contact Schmalz

Schmalz Australia Pty Ltd | 25 Turbo Drive, Bayswater North, VIC, 3153 Melbourne, Australia | +61 3 9215 8800 | schmalz@schmalz.com.au

Area Gripping System

FQE Xc 300x130 SW80 SPB2

Part no...:10.01.44.00375

<https://www.schmalz.com/10.01.44.00375>



VSL 8-6 PU MI-TR

Part no...:10.07.09.00003

External diameter D: 8 mm

Internal diameter d: 6 mm

Length max.: 500 m

Material hose: PU

Bending radius min.: 45 mm

Pressure range (operating pressure): -0.95 ... 10.00 bar

Operating temperature: -35 ... 60 °C



VSL 10-7 PE MI-TR

Part no...:10.07.09.00083

External diameter D: 10 mm

Internal diameter d: 7 mm

Length max.: 50 m

Material hose: PE

Bending radius min.: 60 mm

Pressure range (operating pressure): -0.95 ... 10.00 bar

Operating temperature: -30 ... 70 °C



VSL 12-9 PU MI-TR

Part no...:10.07.09.00037

External diameter D: 12 mm

Internal diameter d: 9 mm

Length max.: 50 m

Material hose: PU

Bending radius min.: 70 mm

Pressure range (operating pressure): -0.95 ... 10.00 bar

Operating temperature: -20 ... 90 °C

Area Gripping System

FQE Xc 300x130 SW80 SPB2

Part no...:10.01.44.00375

<https://www.schmalz.com/10.01.44.00375>



VSL 14-11 PU MI-TR

Part no...:10.07.09.00038

External diameter D: 14 mm

Internal diameter d: 11 mm

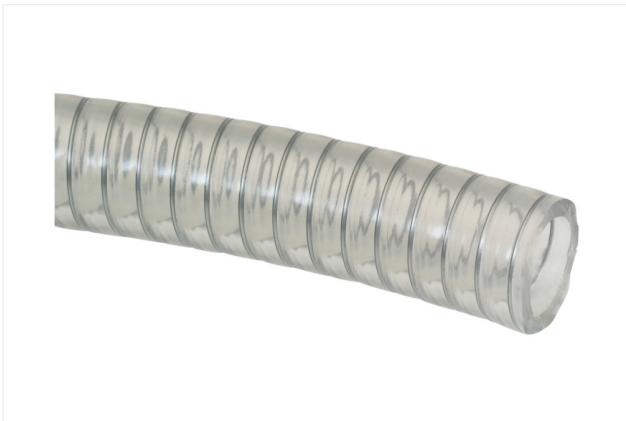
Length max.: 50 m

Material hose: PU

Bending radius min.: 100 mm

Pressure range (operating pressure): -0.95 ... 10.00 bar

Operating temperature: -20 ... 90 °C



VSL 26-19 PVC-DS KL-TR

Part no...:10.07.09.00007

External diameter D: 26 mm

Internal diameter d: 19 mm

Length max.: 50 m

Material hose: PVC with wire spiral

Bending radius min.: 85 mm

Pressure range (operating pressure): -0.90 ... 5.00 bar

Operating temperature: -15 ... 65 °C



VAM 40 V U BAR

Part no...:10.07.02.00046

External diameter D: 40 mm

Measuring range: -1,00 ... 0,00 bar

Area Gripping System

FQE Xc 300x130 SW80 SPB2

Part no...:10.01.44.00375

<https://www.schmalz.com/10.01.44.00375>



VSi V D M8-4

Part no...:10.06.02.00577

Measuring range: -1,0 ... 0,0 bar

Construction shape vacuum switch: with display

Electrical connection: M8 connector, 4-pole

Indication: 2xLED

Protection type IP: IP 65



FLK G1/4-IG G1/4-AG

Part no...:10.01.03.00178

Thread G1: G1/4"-F

Thread G2: G1/4"-M

Operating temperature: 0 ... 70 °C



FLK G1/2-IG G1/2-AG

Part no...:10.01.03.00175

Thread G1: G1/2"-F

Thread G2: G1/2"-M

Operating temperature: 0 ... 70 °C

Area Gripping System

FQE Xc 300x130 SW80 SPB2

Part no...:10.01.44.00375

<https://www.schmalz.com/10.01.44.00375>



KGL G1/4-IG G1/4-AG

Part no...:10.01.03.00110

Thread G1: G1/4"-F

Thread G2: G1/4"-M

Height H: 37.5 mm



KGL G1/2-IG G1/2-AG

Part no...:10.01.03.00111

Thread G1: G1/2"-F

Thread G2: G1/2"-M

Height H: 40 mm



VFT G3/8-IG 80

Part no...:10.07.01.00122

Connection: G3/8"-F

Shape: Long filter insert

Nominal flow rate: 245 l/min

Nominal flow rate: 14.7 m³/h

Filter pore size: 80 μm

Area Gripping System

FQE Xc 300x130 SW80 SPB2

Part no...:10.01.44.00375

<https://www.schmalz.com/10.01.44.00375>



VFT G3/4-IG 80

Part no...:10.07.01.00128

Connection: G3/4"-F

Shape: Long filter insert

Nominal flow rate: 600 l/min

Nominal flow rate: 36 m³/h

Filter pore size: 80 µm



VFT G3/8-IG 100

Part no...:10.07.01.00123

Connection: G3/8"-F

Shape: Long filter insert

Nominal flow rate: 290 l/min

Nominal flow rate: 17.4 m³/h

Filter pore size: 100 µm

Spare parts



ASK B-M12-5 5000 K-5P

Part no...:21.04.05.00080

Electrical connection: Fem connect M12, 5 pol

Cable length: 5,000 mm

Material hose: PUR cable

Area Gripping System

FQE Xc 300x130 SW80 SPB2

Part no...:10.01.44.00375

<https://www.schmalz.com/10.01.44.00375>



ASK WB-M12-5 5000 K-4P

Part no...:21.04.05.00557

Electrical connection: Elbow fem con M12, 5pol

Material hose: PUR cable

Cable length: 5,000 mm



VAM 40 V U BAR

Part no...:10.07.02.00046

External diameter D: 40 mm

Measuring range: -1,00 ... 0,00 bar



VSi V D M8-4

Part no...:10.06.02.00577

Measuring range: -1,0 ... 0,0 bar

Construction shape vacuum switch: with display

Electrical connection: M8 connector, 4-pole

Indication: 2xLED

Protection type IP: IP 65

Area Gripping System

FQE Xc 300x130 SW80 SPB2

Part no...:10.01.44.00375

<https://www.schmalz.com/10.01.44.00375>



SEP HF 2 13 22

Part no...:10.02.01.01347

Shape: High Flow

Number of stages: 2

Nozzle size: 1.3 mm

Hole diameter: 22 mm

Degree of evacuation: 61 %

Pressure range (operating pressure): 2.0 ... 6.0 bar

Pressure optimal: 4 bar

Suction rate (max.): 175.3 l/min

Air consumption suction: 74 l/min



SW 130 P 7.3

Part no...:10.05.04.00092

Shape: Push In

Length L: 15.5 mm

Material: Polyoxymethylene

External diameter D: 7.3 mm



SPB2 20 SI-40 P

Part no...:10.01.06.03125

Size: 20

Suction cup material: Silicone SI

Material hardness [Shore A]: 40 Shore A

Number of folds: 2.5

Shape: Push In

Area Gripping System

FQE Xc 300x130 SW80 SPB2

Part no...:10.01.44.00375

<https://www.schmalz.com/10.01.44.00375>



VSL 10-7 PE MI-TR

Part no...:10.07.09.00083

External diameter D: 10 mm

Internal diameter d: 7 mm

Length max.: 50 m

Material hose: PE

Bending radius min.: 60 mm

Pressure range (operating pressure): -0.95 ... 10.00 bar

Operating temperature: -30 ... 70 °C



VSL 10-7 PU MI-TR

Part no...:10.07.09.00084

External diameter D: 10 mm

Internal diameter d: 7 mm

Length max.: 50 m

Material hose: PU

Bending radius min.: 60 mm

Pressure range (operating pressure): -0.95 ... 10.00 bar

Operating temperature: -40 ... 85 °C