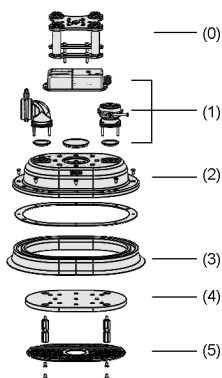


Sack Grippers PSSG-X

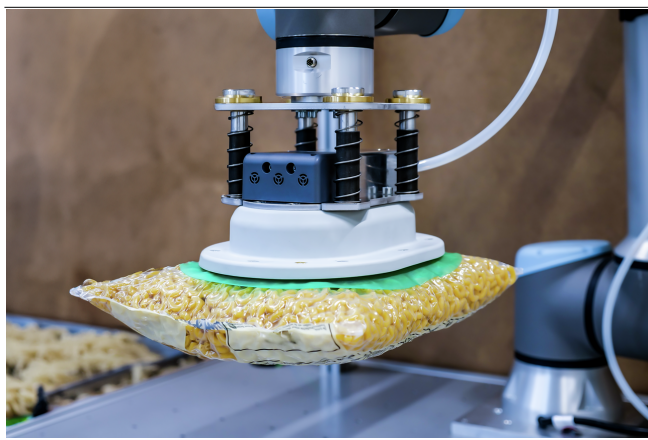
Suction area (Ø) from 290 x 215 mm to 350 x 250 mm



Sack Grippers PSSG-X



System design Sack Grippers PSSG-X



Sack gripper PSSG when handling paper sacks

Suitability for industry specific applications

Applications

- Sack gripper with very low weight for the automated handling of bags
- Handling of paper, plastics and fabric bags
- Handling of porous, bag-like workpieces and handling of bags with a low filling level
- Use for bag handling tasks with industrial robots or cobots

Design

- The module (0) for the gripper connection to the robot is available in a rigid version or with floating attachment (height compensation)
- Hose connection (straight/angled) for the connector of an external vacuum generator or choice of integrated vacuum generation using SEP nozzles (1)
- Lightweight sack gripper housing made of glass fiber reinforced plastics (2)
- Innovative sealing element (3) made of FDA-compliant silicone or wear-resistant NBR
- Filter fleece (4) protects the system from contamination
- Adjustable support grid (5) prevents the bag packaging from being pulled in

Product highlights

- Reliable handling of bags of different materials and geometries
- Innovative sealing element ensures a longer service life than conventional foam rubber solutions
- Modular design for low weight and easy maintenance of the sealing element
- Direct, easy access to device data via smartphone via NFC interface

Sack Grippers PSSG-X

Suction area (Ø) from 290 x 215 mm to 350 x 250 mm

Ordering data Sack Grippers PSSG-X

for				Suction cup material with Sha: *	
				NBR-60	SI-55
PSSG	M	290x215	M6-F	10.01.54.00031	10.01.54.00032
PSSG	M	350x250	M6-F	10.01.54.00035	10.01.54.00036
PSSG	M	405x305	M6-F	10.01.54.00005	10.01.54.00006
PSSG	X	290x215	M6-F	10.01.54.00083	10.01.54.00084
PSSG	X	350x250	M6-F	10.01.54.00085	10.01.54.00086

*Additional material specifications at beginning of the section "Vacuum Suction Cups"

Ordering data Spare parts Sack Grippers PSSG-X

for			Sealing ring for sack gripper		Set of spare parts	
PSSG	290x215	NBR	10.01.54.00054	10.01.54.00043	10.01.54.00094	10.01.54.00095
PSSG	290x215	SI	10.01.54.00054	10.01.54.00043	10.01.54.00094	10.01.54.00095
PSSG	350x250	NBR	10.01.54.00061	10.01.54.00060	10.01.54.00092	10.01.54.00093
PSSG	350x250	SI	10.01.54.00061	10.01.54.00060	10.01.54.00092	10.01.54.00093

for		Perforated plate (inst.)	
PSSG	290x215	10.01.54.00057	
PSSG	350x250	10.01.54.00065 10.01.54.00067	

for		Ejector module	
PSSG	X	10.02.01.01347	

for		Set of filters	
PSSG	290x215	10.01.54.00082	
PSSG	350x250	10.01.54.00080	

Ordering data Accessories Sack Grippers PSSG-X

for		Hose connector, bent (inst)	Hose connector, straight (inst)	Vacuum hose (meter)	Vacuum/pressure switch	Connection cable
PSSG	290x215	10.01.54.00050	10.01.54.00038	-	10.06.02.00577	21.04.05.00264 21.04.05.00075
PSSG	350x250	10.01.54.00050	10.01.54.00038	-	10.06.02.00577	21.04.05.00264 21.04.05.00075

for		Shaft	
PSSG	290x215	10.01.54.00045	
PSSG	350x250	10.01.54.00045 10.01.54.00066	

for		Flange module		Flange set robots	
PSSG	290x215	10.01.54.00107 10.01.54.00105		10.01.54.00104	
PSSG	350x250	10.01.54.00107 10.01.54.00105		10.01.54.00104	

for		Vacuum pump		Construction	
PSSG	290x215	-		-	
PSSG	350x250	-		-	

Technical data Sack Grippers PSSG-X

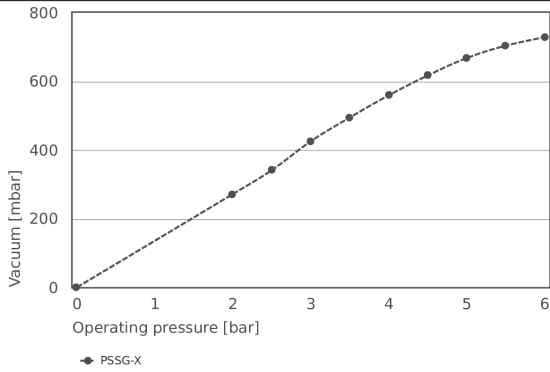
Type			Lift capacity [kg]	Volume [cm³]	Hose diameter (recom.) d [mm]*
X	290x215	M6-F	15	1,794.000	-
X	350x250	M6-F	30	3,127.000	-

*The recommended hose diameter is based on a hose length of approx. 2 m

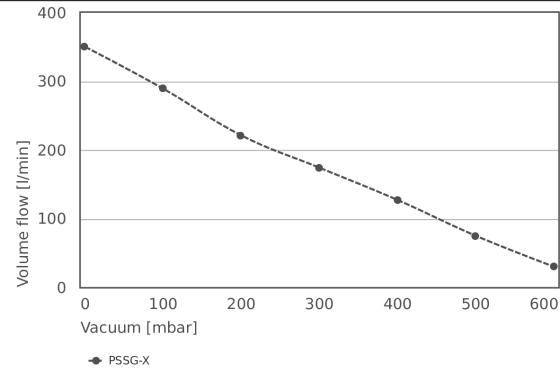
Sack Grippers PSSG-X

Suction area (Ø) from 290 x 215 mm to 350 x 250 mm

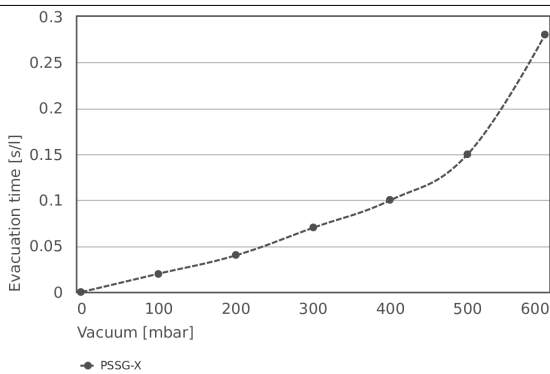
Performance data Sack Grippers PSSG-X



Achievable vacuum at various operating pressures



Suction capacity at various degrees of evacuation



Evacuation times for various vacuum ranges [s/l]

Achievable vacuum at various operating pressures

	0.0	2.0	2.5	3.0	3.5	4.0	4.5	5.0	5.5	6.0
PSSG-X	0.00	271.63	341.28	425.20	494.32	559.06	616.78	667.32	703.34	727.97

Sack Grippers PSSG-X

Suction area (Ø) from 290 x 215 mm to 350 x 250 mm

Suction capacity at various degrees of evacuation

	0	100	200	300	400	500	600
PSSG-X	350	289	221	174	127	75	30

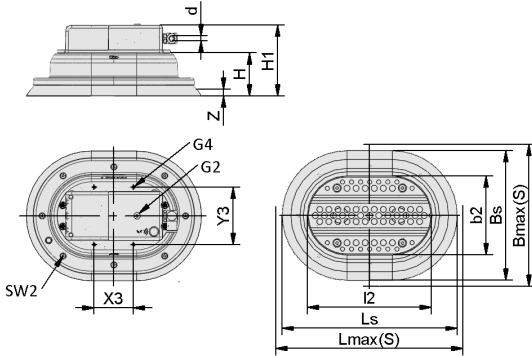
Evacuation times for various vacuum ranges [s/l]

	0	100	200	300	400	500	600
PSSG-X	0.00	0.02	0.04	0.07	0.1	0.15	0.28

Sack Grippers PSSG-X

Suction area (\emptyset) from 290 x 215 mm to 350 x 250 mm

Design data Sack Grippers PSSG-X



PSSG X 290x215 ... 350x250

Sack Grippers PSSG-X

Suction area (Ø) from 290 x 215 mm to 350 x 250 mm

Design data Sack Grippers PSSG-X

Type		b2	Bs	Bmax(S)	d [mm]	d1 [mm]	G2	G4	H	H1 [mm]	l2
X	290x215	131	215	220	10	-	G1/8"-F	M6-F	72	118	206
X	350x250	143	250	257	10	-	G1/8"-F	M6-F	91	137	243

Type		L2 [mm]	Ls	Lmax(S)	SW2 [mm]	X3 [mm]	[mm]	Y3 [mm]	[mm]	Z [mm]
X	290x215	-	290	295	3	65	-	95	-	11
X	350x250	-	350	357	4	65	-	105	-	17