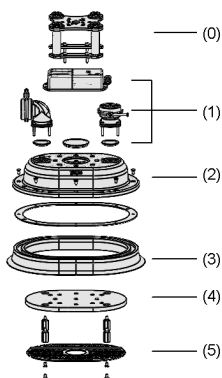


## Sack Grippers PSSG-M

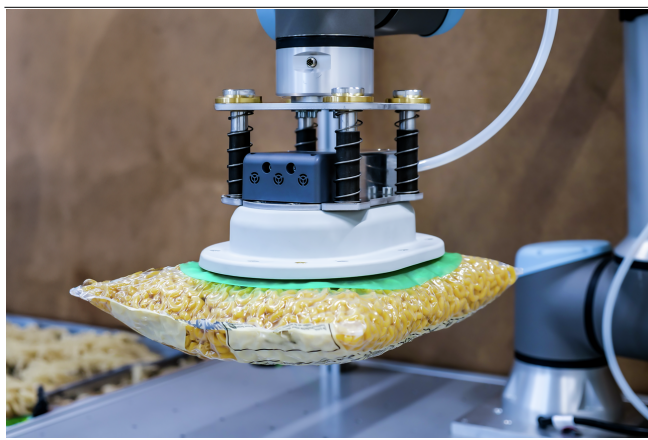
Suction area (Ø) from 290 x 215 mm to 405 x 305 mm



Sack Grippers PSSG-M



System design Sack Grippers PSSG-M



Sack gripper PSSG when handling paper sacks

### Suitability for industry specific applications

#### Applications

- Sack gripper with very low weight for the automated handling of bags
- Handling of paper, plastics and fabric bags
- Handling of porous, bag-like workpieces and handling of bags with a low filling level
- Use for bag handling tasks with industrial robots or cobots

#### Design

- The module (0) for the gripper connection to the robot is available in a rigid version or with floating attachment (height compensation)
- Hose connection (straight/angled) for the connector of an external vacuum generator or choice of integrated vacuum generation using SEP nozzles (1)
- Lightweight sack gripper housing made of glass fiber reinforced plastics (2)
- Innovative sealing element (3) made of FDA-compliant silicone or wear-resistant NBR
- Filter fleece (4) protects the system from contamination
- Adjustable support grid (5) prevents the bag packaging from being pulled in

#### Product highlights

- Reliable handling of bags of different materials and geometries
- Innovative sealing element ensures a longer service life than conventional foam rubber solutions
- Modular design for low weight and easy maintenance of the sealing element
- Direct, easy access to device data via smartphone via NFC interface

# Sack Grippers PSSG-M

Suction area (Ø) from 290 x 215 mm to 405 x 305 mm

## Designation code Sack Grippers PSSG-M

<b>PSSG</b>	–	<b>M</b>	–	<b>405x305</b>	–	<b>NBR-60</b>	–	<b>M6-IG</b>	–	<b>2P</b>
<b>1</b>		<b>2</b>		<b>3</b>		<b>4</b>		<b>5</b>		<b>6</b>

### 1 – Abbreviated designation

Code	Version
PSSG	Flat

### 2 – Shape

Code	Version
M	External vacuum generation
X	Internal vacuum generation

### 3 – Suction area

Code	LxW in mm
290x215...	290x215 to
405x305	405x305

### 4 – Material

Code	Material
NBR-60	Nitrile rubber
SI-55	Silicone

### 5 – Connection

Code	Connection
M6-IG	M6-IG (IG = female (F))

### 6 – Version

Code	Version
2P	2 ports

The sack gripper PSSG, available in various sizes, is delivered as a component. It is possible to obtain a product that is ready-to-connect by ordering the connection element.

## Ordering data Sack Grippers PSSG-M

for				Suction cup material with ShA: *	
				NBR-60	SI-55
PSSG	M	290x215	M6-F	10.01.54.00031	10.01.54.00032
PSSG	M	350x250	M6-F	10.01.54.00035	10.01.54.00036
PSSG	M	405x305	M6-F	10.01.54.00005	10.01.54.00006
PSSG	X	290x215	M6-F	10.01.54.00083	10.01.54.00084
PSSG	X	350x250	M6-F	10.01.54.00085	10.01.54.00086

\*Additional material specifications at beginning of the section "Vacuum Suction Cups"

## Ordering data Spare parts Sack Grippers PSSG-M

for			Sealing ring for sack gripper		Set of spare parts	
PSSG	290x215	NBR	10.01.54.00054	10.01.54.00043	10.01.54.00094	10.01.54.00095
PSSG	290x215	SI	10.01.54.00054	10.01.54.00043	10.01.54.00094	10.01.54.00095
PSSG	350x250	NBR	10.01.54.00061	10.01.54.00060	10.01.54.00092	10.01.54.00093
PSSG	350x250	SI	10.01.54.00061	10.01.54.00060	10.01.54.00092	10.01.54.00093
PSSG	405x305	NBR	10.01.54.00009	10.01.54.00024	10.01.54.00090	10.01.54.00091
PSSG	405x305	SI	10.01.54.00009	10.01.54.00024	10.01.54.00090	10.01.54.00091

for		Perforated plate (inst.)	
PSSG	290x215	10.01.54.00057	
PSSG	350x250	10.01.54.00065 10.01.54.00067	
PSSG	405x305	10.01.54.00058 10.01.54.00055	

for		Set of filters	
PSSG	290x215	10.01.54.00082	
PSSG	350x250	10.01.54.00080	
PSSG	405x305	10.01.54.00078	

## Sack Grippers PSSG-M

Suction area (Ø) from 290 x 215 mm to 405 x 305 mm

### Ordering data Accessories Sack Grippers PSSG-M

for	Hose connector, bent (inst)	Hose connector, straight (inst)	Vacuum hose (meter)	Vacuum/pressure switch	Connection cable	Dust filter
PSSG 290x215	10.01.54.00050	10.01.54.00038	10.07.09.00036	10.06.02.00577	21.04.05.00264 21.04.05.00075	-
PSSG 350x250	10.01.54.00050	10.01.54.00038	10.07.09.00036	10.06.02.00577	21.04.05.00264 21.04.05.00075	-
PSSG 405x305	10.01.54.00016	10.01.54.00023	10.07.09.00034	10.06.02.00577	21.04.05.00264 21.04.05.00075	10.07.01.00259

for	Shaft
PSSG 290x215	10.01.54.00045
PSSG 350x250	10.01.54.00045 10.01.54.00066
PSSG 405x305	10.01.54.00027 10.01.54.00018

for	Flange module	Flange set robots
PSSG 290x215	10.01.54.00107 10.01.54.00105	10.01.54.00104
PSSG 350x250	10.01.54.00107 10.01.54.00105	10.01.54.00104
PSSG 405x305	10.01.54.00106 10.01.54.00108	-

for	Vacuum pump	Construction	Vacuum blower	Construction
PSSG 290x215	10.03.01.00337 10.03.01.00338 10.03.01.00382	IE3:EU/CN/IND IE3:US/CAN IE3:JPN/KOR/BRA	-	-
PSSG 350x250	10.03.01.00337 10.03.01.00338 10.03.01.00382	IE3:EU/CN/IND IE3:US/CAN IE3:JPN/KOR/BRA	-	-
PSSG 405x305	-	-	10.04.01.00090 10.04.01.00092 10.04.01.00091	IE3:EU/CN/IND IE3:US/CAN IE3:JPN/KOR/BRA

### Technical data Sack Grippers PSSG-M

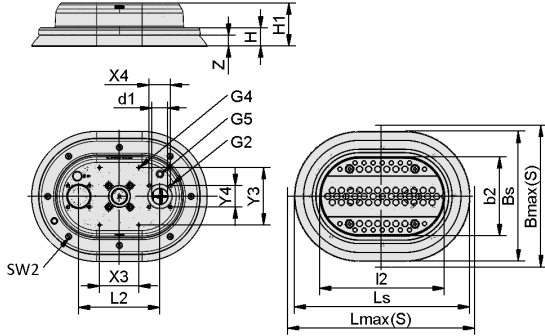
Type	Lift capacity [kg]	Volume [cm³]	Hose diameter (recom.) d [mm]*
M 290x215 M6-F	15	1,794.000	33
M 350x250 M6-F	30	3,127.000	33
M 405x305 M6-F	50	5,315.000	61

\*The recommended hose diameter is based on a hose length of approx. 2 m

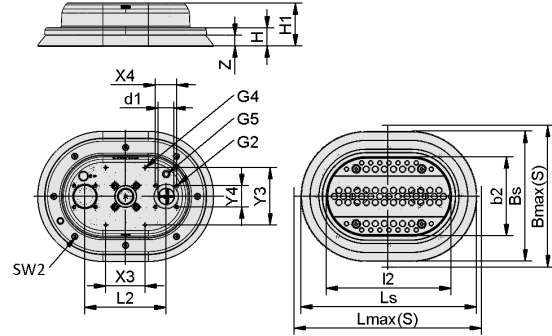
# Sack Grippers PSSG-M

Suction area ( $\emptyset$ ) from 290 x 215 mm to 405 x 305 mm

## Design data Sack Grippers PSSG-M



PSSG M 290x215



PSSG M 350x250 ... 405x305

## Sack Grippers PSSG-M

Suction area (Ø) from 290 x 215 mm to 405 x 305 mm

### Design data Sack Grippers PSSG-M

Type		b2	Bs	Bmax(S)	d [mm]	d1 [mm]	G2	G4	H	H1 [mm]	l2
M	290x215	131	215	220	-	26.5	M5-F	M6-F	30	72	206
M	350x250	143	250	257	-	26.5	M5-F	M6-F	38	91	243
M	405x305	213	305	315	-	39.5	M5-F	M6-F	45	108	313

Type		L2 [mm]	Ls	Lmax(S)	SW2 [mm]	X3 [mm]	[mm]	Y3 [mm]	[mm]	Z [mm]
M	290x215	134	290	295	3	65	35	95	35	11
M	350x250	155	350	357	4	65	35	105	35	17
M	405x305	200	405	415	4	90	45	153	45	25